

For reference only. See data sheet for the detailed specifications.

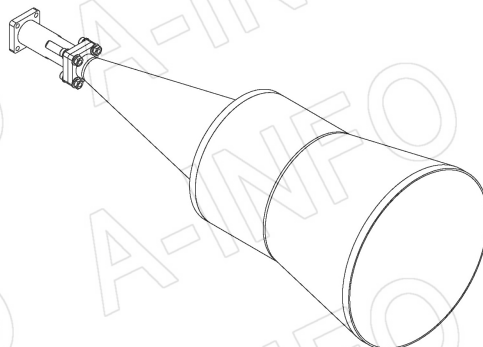
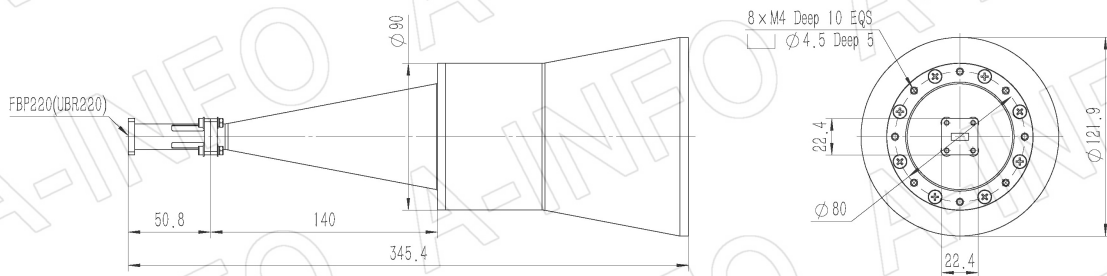
## Technical Specification



Frequency Range(GHz)	18.0 – 26.5
Waveguide	WR42
Gain(dBi)	25 Typ.
Polarization	Linear
3dB Beamwidth(deg)	E Plane: 8 Typ.
	H Plane: 9 Typ.
Cross Pol. Isolation(dB)	45 Typ.
VSWR	A Type: 1.15:1 Max.
	C Type: 1.40:1 Max.
Output	A Type: FBP220(UBR220)
	C Type: SMA-Female or 2.92mm-Female or 3.5mm-Female
Material	Al
Finish	Gold Plated and Silver Plated, Gray Paint
Size(mm)	A Type: 121.9 x 121.9 x 345.4
	C Type: 121.9 x 121.9 x 380.4
Net Weight(Kg)	A Type: 0.70 Around
	C Type: 0.77 Around

## Outline Drawing (Size: mm)

FBP220 Output (P/N: LB-CNH-42-25-A)



AINFO Inc.

China(Beijing): Tel: (+86) 10-6266-7326,  
China(Chengdu): Tel: (+86) 28-8519-2786,  
USA: Tel: (+1) 949-639-9688,

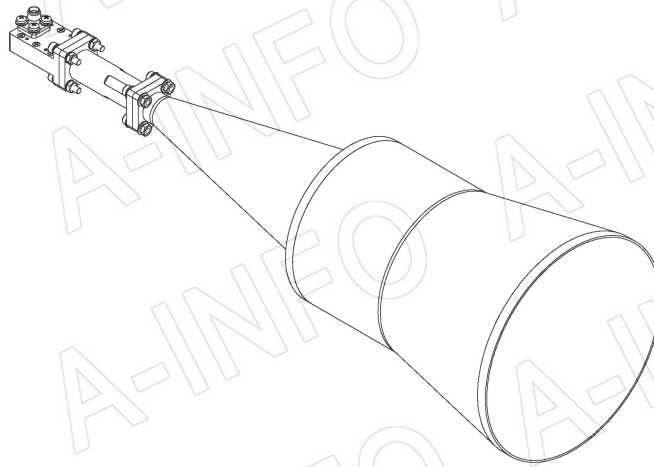
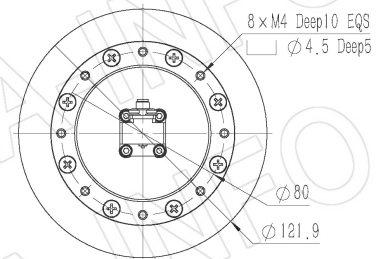
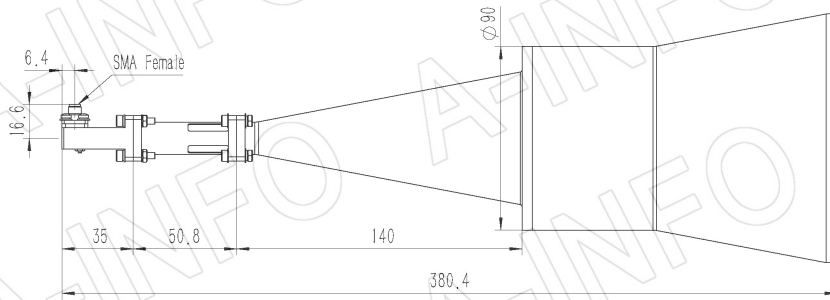
Page 1 of 9

(+86) 10-6266-7327 Fax: (+86) 10-6266-7379  
(+86) 28-8519-3044 Fax: (+86) 28-8519-3068  
(+1) 949-639-9608 Fax: (+1) 949-639-9670

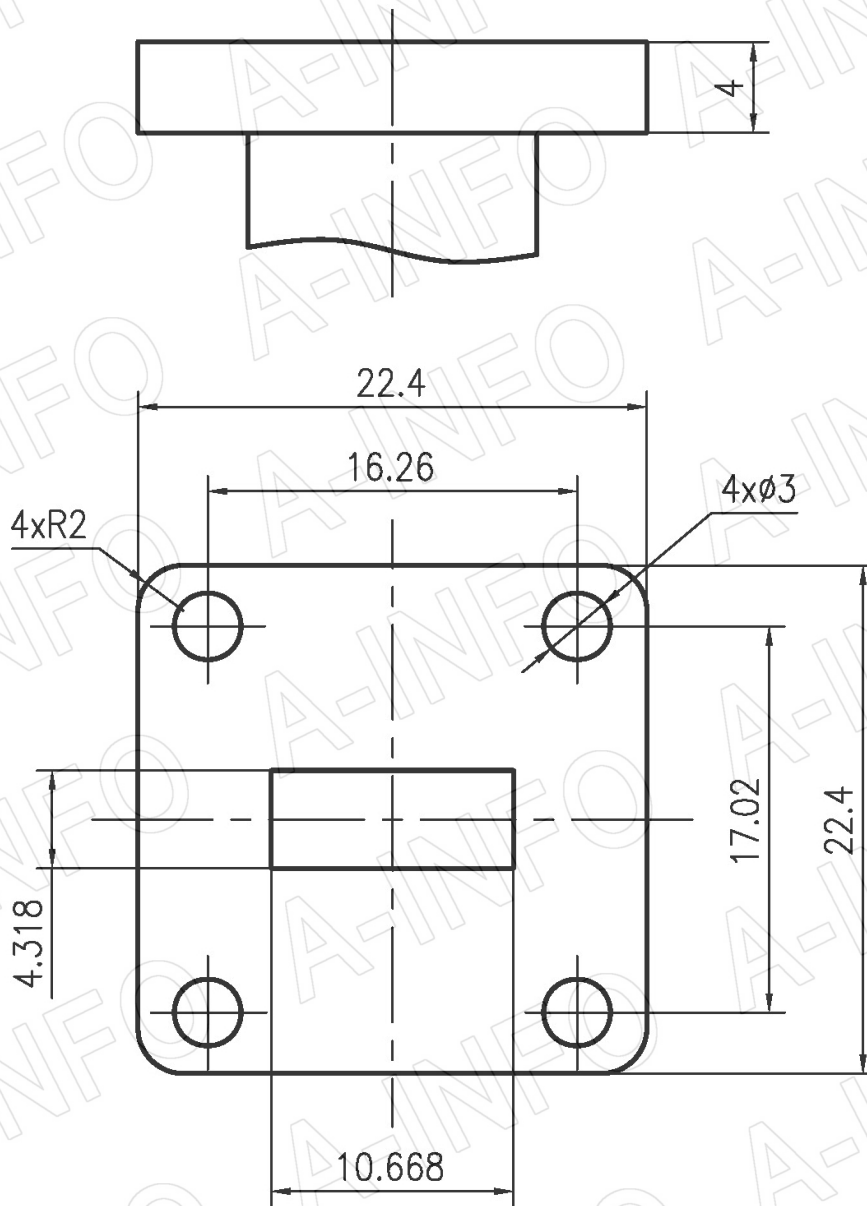
Website: [www.ainfoinc.com](http://www.ainfoinc.com)  
Email: [sales@ainfoinc.com](mailto:sales@ainfoinc.com)

**SMA-Female Output (P/N: LB-CNH-42-25-C-SF)**

For 2.92mm-Female or 3.5mm-Female output outline drawing, please contact A-INFO.



## Flange Drawing (Size: mm)



## FBP220

AINFO Inc.

China(Beijing): Tel: (+86) 10-6266-7326,  
China(Chengdu): Tel: (+86) 28-8519-2786,  
USA: Tel: (+1) 949-639-9688,

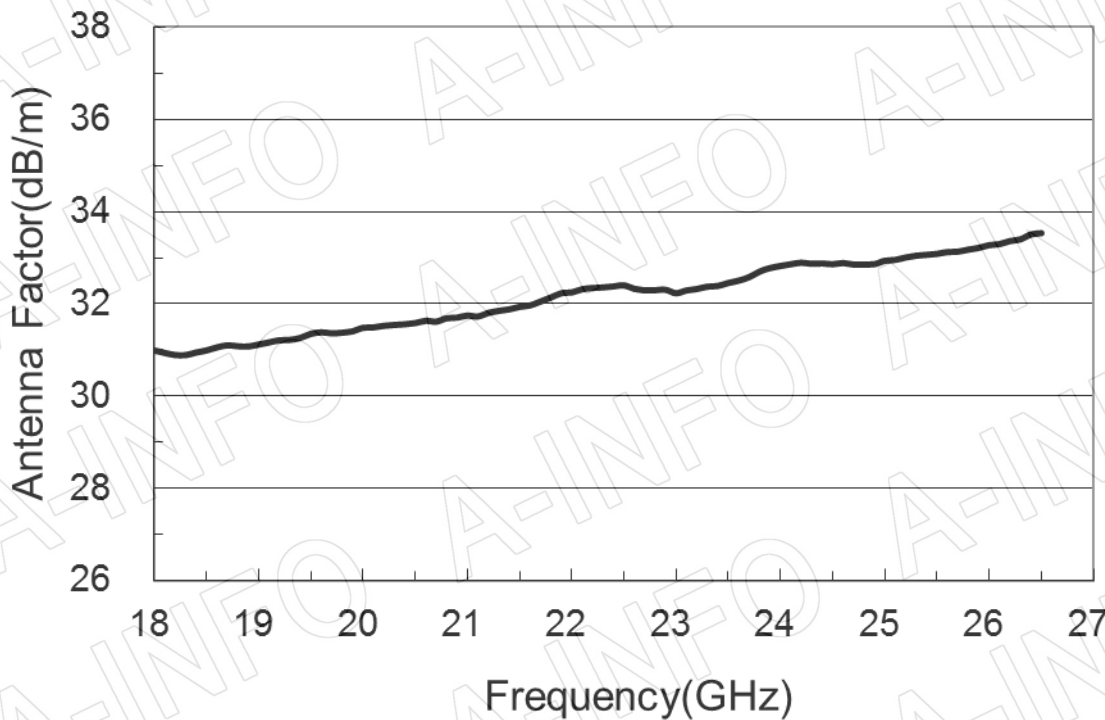
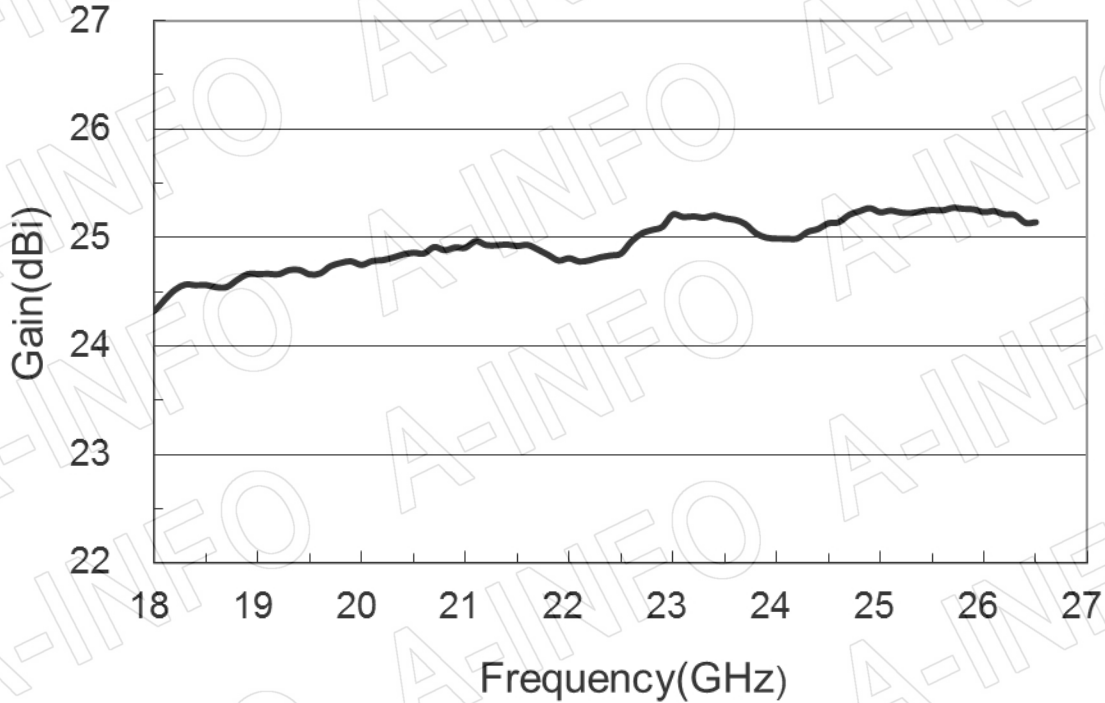
Page 3 of 9

(+86) 10-6266-7327 Fax: (+86) 10-6266-7379  
(+86) 28-8519-3044 Fax: (+86) 28-8519-3068  
(+1) 949-639-9608 Fax: (+1) 949-639-9670

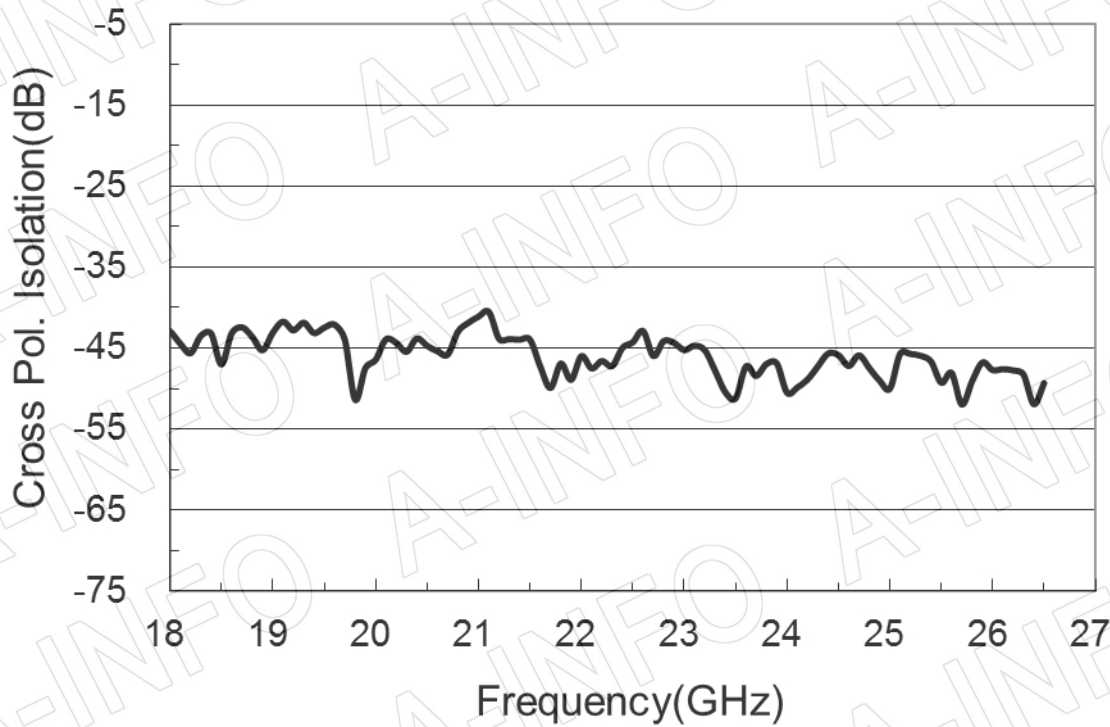
Website: [www.ainfoinc.com](http://www.ainfoinc.com)  
Email: [sales@ainfoinc.com](mailto:sales@ainfoinc.com)

## Test Results

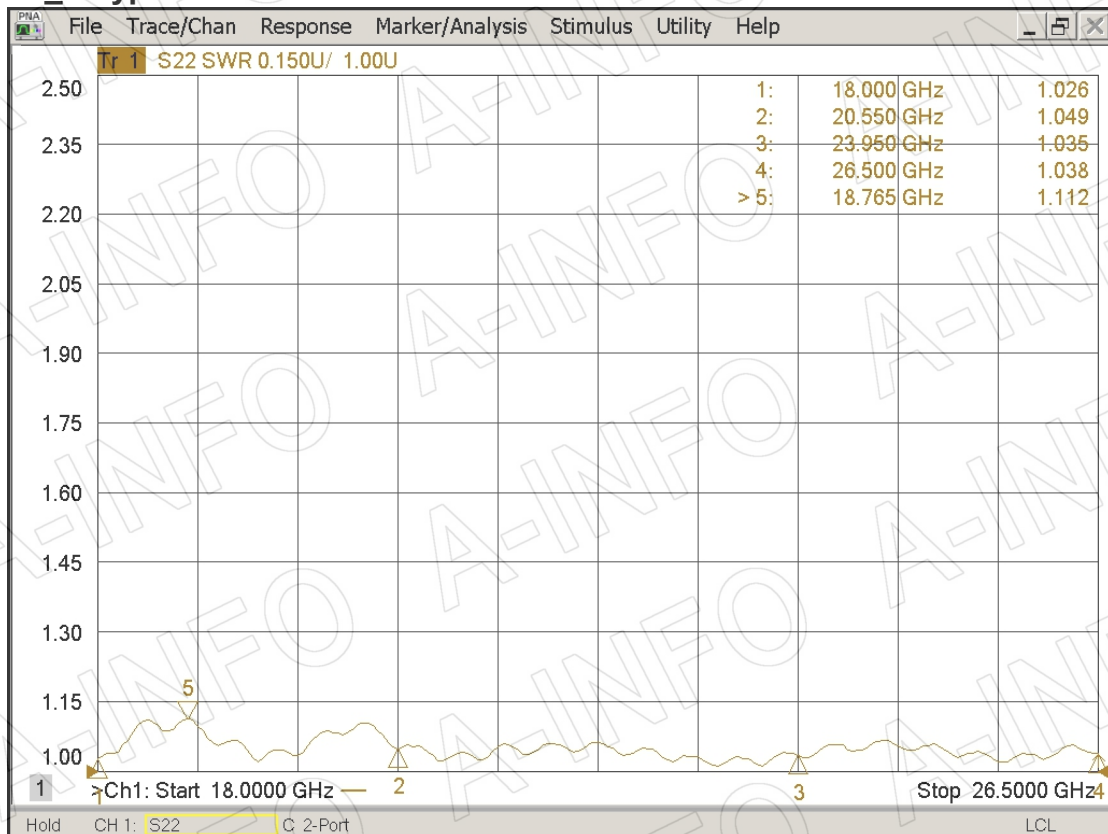
### 1. Gain & Antenna Factor



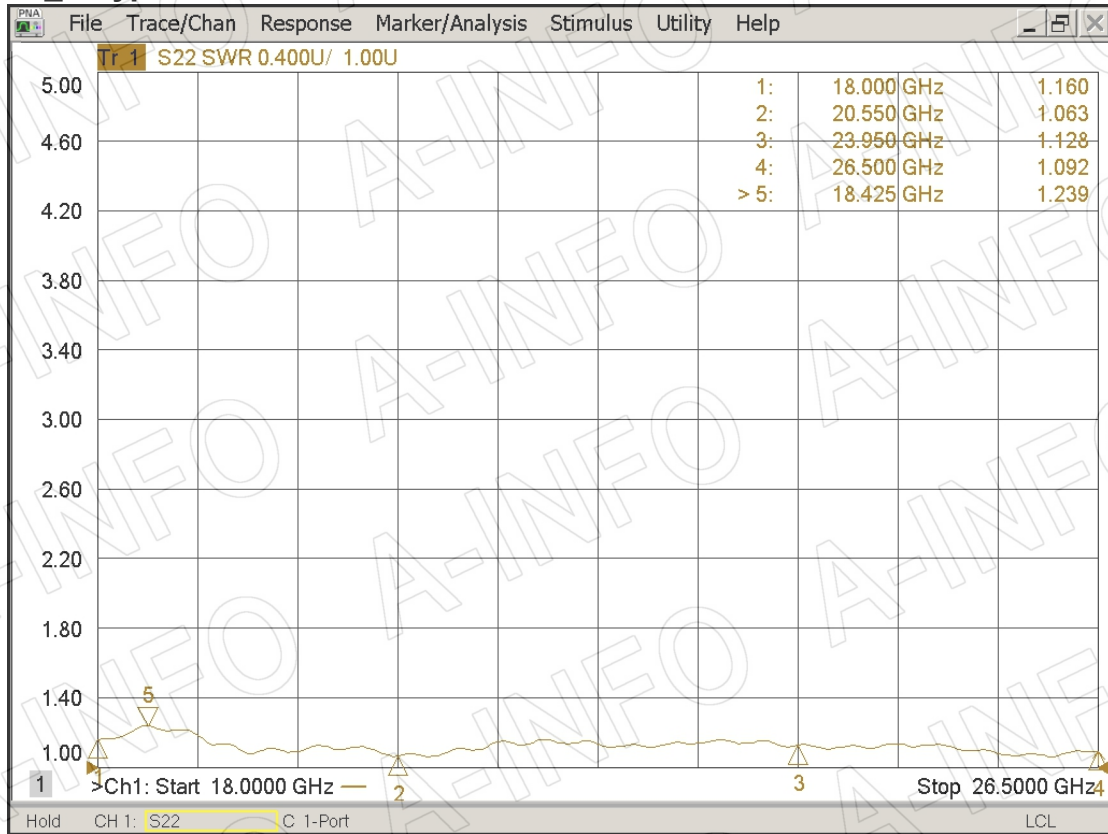
## 2. Cross Polarization Isolation



## 3. VSWR\_A Type



## VSWR\_C Type



## 4. Pattern

